



SKIRTEC

"Simply Better"

ABN 77 074 107 805

**PRODUCT
INFORMATION**



SKIRTING DUCT

BENCH DUCT

SERVICE COLUMNS

BOLLARDS

FOR YOUR NEAREST BRANCH OR AGENT
SEE BACK PAGE

www.skirtec.com.au



SKIRTING / WALL / BENCH DUCT SELECTOR

MATERIAL	# OF CHANNELS	CATALOG #	# of Cables **	
			POWER	DATA
P.V.C.	2	PCB2I	5	20
		PCAB2I *	5	20
		APDI2535	7	25
	3	↓ DISCONTINUED		
ALUMINIUM	2	150MM X 35MM — DI5035	7	30
		150MM X 50MM — DI5050 ***	10	50
		100MM X 50MM — ABDI0050 ***	7	25
		125MM X 35MM — ABDI2535	7	25
	3	150MM X 50MM — CI5050	10	40
		150MM X 50MM — CI5035	7	30

- * PCAB2I IS ALUMINIUM BASE WITH PVC COVER
- ** RECOMMENDED, BUT CAN HAVE MORE
- *** RECOMMENDED IF CAT 6 PLANNED

IF IN DOUBT, PLEASE CALL 1800 064 435

www.skirtec.com.au



"Simply Better"

SKIRTEC GROUP PTY LTD
5/87 KELLIHER RD
RICHLANDS QLD 4077
TEL: 07 3375 6144
FAX: 07 3375 6033

ABN 77 074 107 805
SKIRTEC GROUP PTY LTD
8 / 81-83 STATION RD
SEVEN HILLS NSW 2147
TEL: 02 9674 9080
FAX: 02 9674 9081

ASC30 & ASC36

MODULAR SERVICE COLUMNS ALUMINIUM

ASC30 & ASC36 FULLY MODULAR



100MM X 50MM

2 CHANNEL

COMPLETE WITH ALL
INSTALL HARDWARE
AND 6 OUTLET MOUNT
POSITIONS

FULL LENGTH CLIP IN
COVER FOR EASY ACCESS

VARIETY OF LENGTHS

AVAILABLE IN BLACK , WHITE BIRCH, GREY OR CLEAR ANODISED.

OTHER COLOURS AVAILABLE, P.O.A.

ENQUIRE AT YOUR WHOLESALE NOW!

www.skirtec.com.au sales@skirtec.com.au

SKIRTING DUCT BENCH DUCT SERVICE COLUMNS



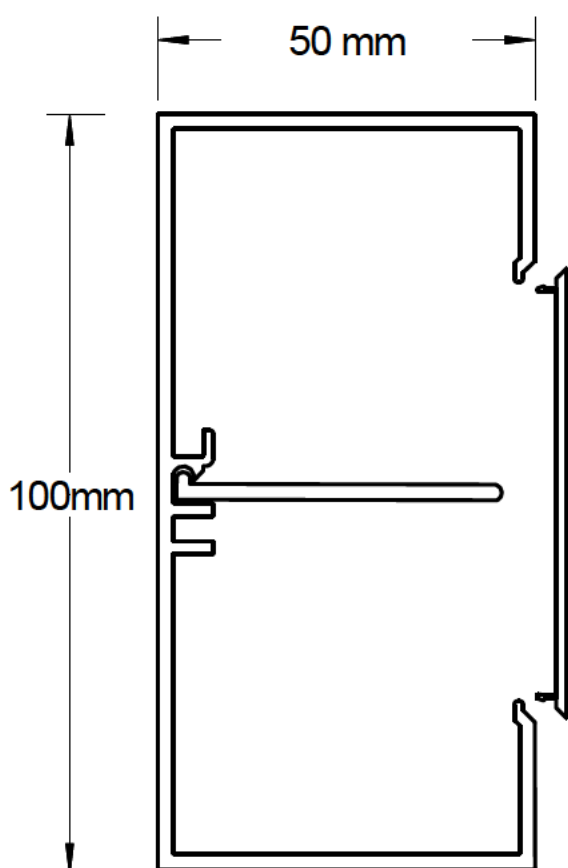
ASC30 and ASC36

SPECIFICATION

Material: Extruded aluminium
Size: 100mm x 50mm x 3000mm *, 2 channel
Cable Capacity: Equivalent to 25 Cat 5 cables per channel with outlet mount box installed.

Colours: Black , Grey, White Birch or Clear Anodised
Outlet Kit: Suits most standard size grid plates with 84mm centres

* lengths available up to 7200mm



These Service Columns can be supplied in extended lengths for special applications. Please contact Skirtec for details

FULL POWDERCOAT COLOUR RANGE AVAILABLE, P.O.A.

PART NUMBER	UNIT	DESCRIPTION
ASC30-xx **	EACH	3M, 2 channel, service column, c/w mounting hardware and 6 outlet kits.
ASC36-xx **	EACH	3.6M, 2 channel, service column, c/w mounting hardware and 6 outlet kits.
ASC36-Z-MT	EACH	Additional outlet mount kit.
ASC36-Z-FL	EACH	Additional Floor / Ceiling Kit.

** xx = colour code

SKIRTEC GROUP PTY LTD TEL 1800 064 435

www.skirtec.com.au



"Simply Better"

SKIRTEC GROUP PTY LTD
5/87 KELLIHER RD
RICHLANDS QLD 4077
TEL: 07 3375 6144
FAX: 07 3375 6033

ABN 77 074 107 805
SKIRTEC GROUP PTY LTD
8 / 81-83 STATION RD
SEVEN HILLS NSW 2147
TEL: 02 9674 9080
FAX: 02 9674 9081

**BOLLARDS POSTS AND SPECIAL
MANUFACTURED ITEMS**

ASC-BOLLARD

ASC-BOLLARD



**AVAILABLE IN BLACK , WHITE BIRCH, GREY OR CLEAR ANODISED.
OTHER COLOURS AVAILABLE, P.O.A.**

ENQUIRE AT YOUR WHOLESALE NOW!

www.skirtec.com.au sales@skirtec.com.au

SKIRTING DUCT BENCH DUCT SERVICE COLUMNS

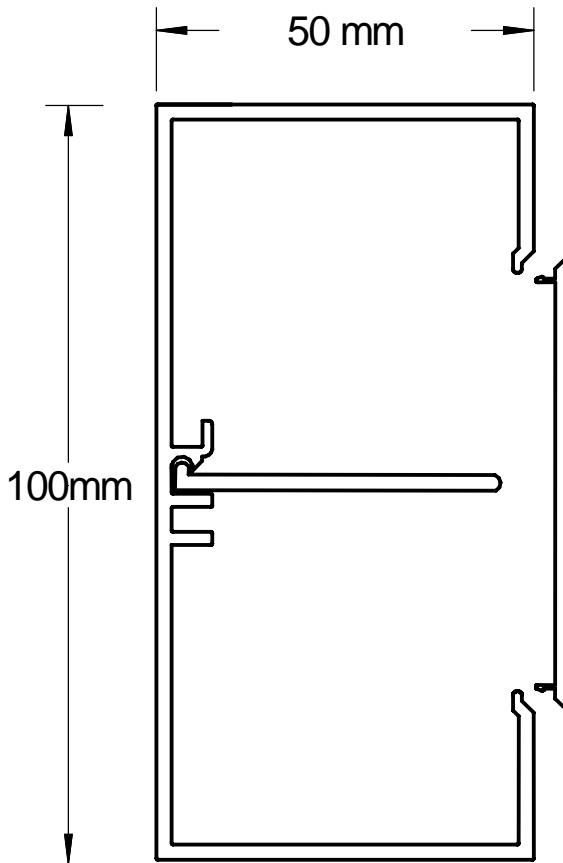


2 CHANNEL BOLLARDS 100mm X 50mm

SPECIFICATION

Material: Extruded aluminium
 Size: 100mm x 50mm x nominated length, 2 channel
 Cable Capacity: Equivalent to 25 Cat 5 cables per channel with outlet mount box installed.

Colours: Black , Grey, White Birch or Clear Anodised
 Outlet Kit: Suits most standard size grid plates with 84mm centres



SPECIAL MANUFACTURE

THESE ITEMS ARE MANUFACTURED ON A "AS REQUIRED" BASIS.

PLEASE CONSULT WITH OUR SALES TEAMS FOR YOUR EXACT REQUIREMENT.

Note: These are Special Manufacture and non-returnable items.

Note: These Bollards are not supplied with grid plates.

PART NUMBER	UNIT	DESCRIPTION
ASC-BOLLARD-2 gang-xx	EACH	Aluminium , 2 channel bollard, 100mm x 50mm c/w 2 outlet kits
ASC-BOLLARD-4 gang-xx	EACH	Aluminium , 2 channel bollard, 100mm x 50mm c/w 4 outlet kits
xx = nominated colour		



"Simply Better"

ABN 77 074 107 805

SKIRTEC GROUP PTY LTD
5/87 KELLIHER RD
RICHLANDS QLD 4077
TEL: 07 3375 6144
FAX: 07 3375 6033

SKIRTEC GROUP PTY LTD
8 / 81-83 STATION RD
SEVEN HILLS NSW 2147
TEL: 02 9674 9080
FAX: 02 9674 9081

TYPE 21

**TYPE 21 SKIRTING DUCT
PVC OR ALUMINIUM**

TYPE 21



**ECONOMY SOLUTION
FOR**

- **SKIRTING DUCT**
- **BENCH DUCT**

130mm X 35mm

CHOICE OF MATERIALS

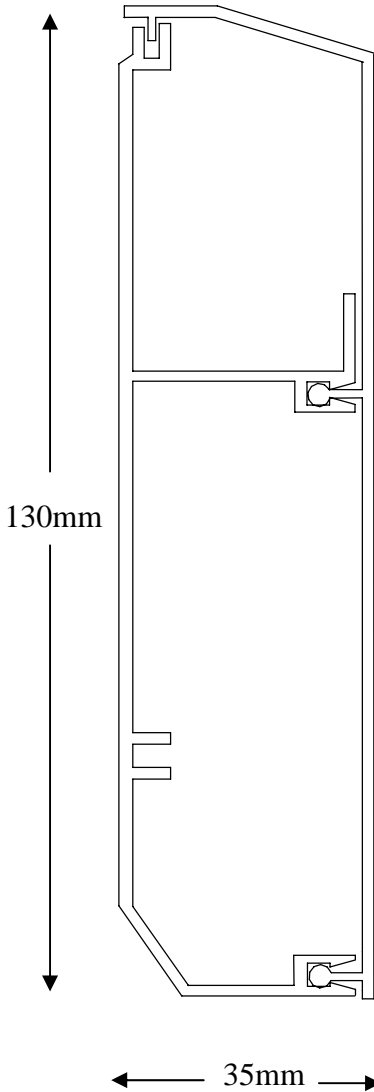
ALL PVC BASE AND COVER OR

ALUMINIUM BASE WITH PVC COVER

COLOURS: BLACK, WHITE, BEIGE OR GREY



TYPE 21 2 channel Duct



SPECIFICATION

P.V.C. Material: High Impact Grade PVC-U. (uv modified)
Self extinguishing to UL-94 V-0
Manufactured to ISO 9000

Size: 130mm x 35mm , 2 channel

Cable Capacity: Equivalent to 20 Cat 5 cables in top
5 x power cables in bottom channel.

Colours: Black , White, Grey or Beige.

Outlet Kit: Suits most standard size grid plates
with 84mm centres

Accessories:
Purpose made accessories are,

- Outlet Mount Kit
- End Stop
- Internal / External modular
Corner 90 degree.

PART NUMBER	UNIT	DESCRIPTION
PCB21-xx	LINEAR METRE	2 Channel duct PVC BASE AND COVER
PCAB21-xx xx= nominated colour	LINEAR METRE	2 Channel duct ALUMINIUM BASE WITH PVC COVER
PIC21	EACH	INTERNAL CORNER
PEC21	EACH	EXTERNAL CORNER
PES21	EACH	END STOP
PK21S-xx	EACH	SINGLE GRID PLATE OUTLET KIT
PK21D-xx	EACH	2 GRID PLATE OUTLET KIT



"Simply Better"

SKIRTEC GROUP PTY LTD
5/87 KELLIHER RD
RICHLANDS QLD 4077
TEL: 07 3375 6144
FAX: 07 3375 6033

ABN 77 074 107 805
SKIRTEC GROUP PTY LTD
8 / 81-83 STATION RD
SEVEN HILLS NSW 2147
TEL: 02 9674 9080
FAX: 02 9674 9081

APD12535

UNIVERSAL 2 CHANNEL PVC DUCT WITH COVER

APD12535

SOLD IN A SIMPLE CONVENIENCE PACK, see details below.



QUICK SOLUTION FOR

- **SKIRTING DUCT**
- **BENCH DUCT**
- **RISERS**
- **GENERAL PURPOSE DUCT**

125mm X 35mm

AVAILABLE IN BLACK OR WHITE

1 X CONVENIENCE PACK CONSISTS OF:
 3 X 2700mm LENGTHS = 8.1 METRES Duct & Cover
 5 X OUTLET MOUNT KITS (switch plates not incl)
 2 x MODULAR CORNERS internal or external
 2 x END STOPS
 Additional accessories available separately

ENQUIRE AT YOUR WHOLESALE NOW!

www.skirtec.com.au sales@skirtec.com.au

SKIRTING DUCT BENCH DUCT SERVICE COLUMNS



APD12535 All Purpose 2 channel Duct

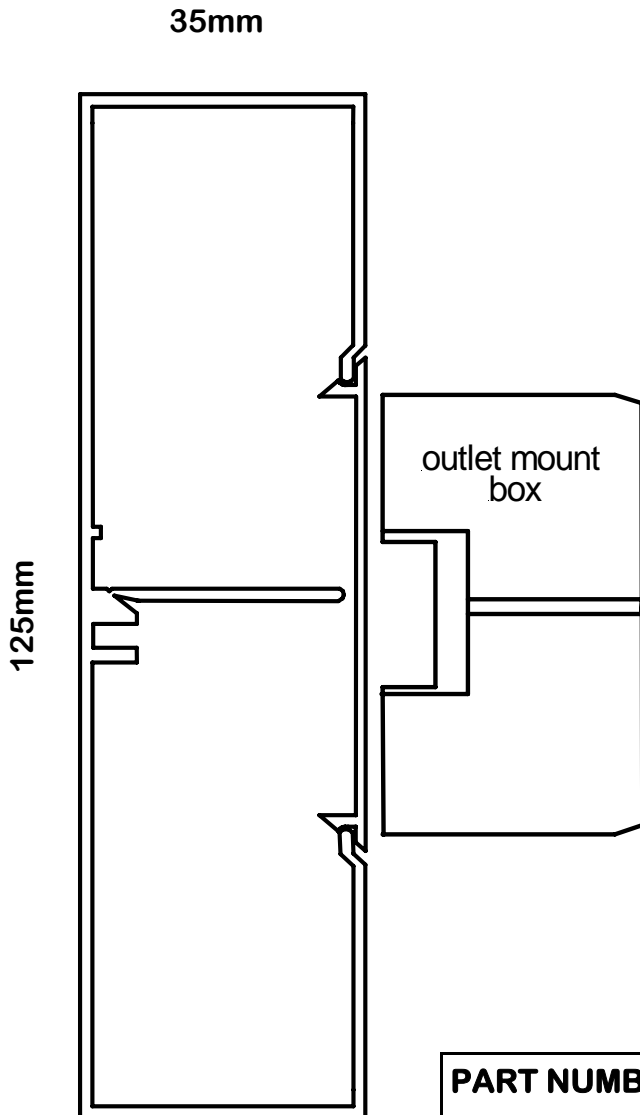
SPECIFICATION

Material: High Impact Grade PVC-U. (uv modified)
Self extinguishing to UL-94 V-0
Manufactured to ISO 9000

Size: 125mm x 35mm x 2700mm, 2 channel
Cable Capacity: Equivalent to 25 Cat 5 cables per channel with outlet mount box installed.

Colours: Black or White

Outlet Kit: Suits most standard size grid plates with 84mm centres



Accessories:

Purpose made accessories are,

- Outlet Mount Kit
- End Stop
- Internal / External modular Corner
- Corner 90 degree.

To install an outlet, simply cut and snap away the segregation barrier and fasten the mount box into the duct body.

PART NUMBER	DESCRIPTION
APD12535-BL / WH	Convenience pack of 8.1M duct, includes one accessories pack
APD12535-KIT BL / WH	Additional accessories pack ; 5 x outlet kits, 2 x corners, 2 x ends



"Simply Better"

ABN 77 074 107 805

SKIRTEC GROUP PTY LTD
5/87 KELLIHER RD
RICHLANDS QLD 4077
TEL: 07 3375 6144
FAX: 07 3375 6033

SKIRTEC GROUP PTY LTD
8 / 81-83 STATION RD
SEVEN HILLS NSW 2147
TEL: 02 9674 9080
FAX: 02 9674 9081

2 CHANNEL SKIRTING DUCT ALUMINIUM

D15035 & D15050

D15035 & D15050



- FOR**
- **SKIRTING DUCT**
 - **BENCH DUCT**
 - **150mm x 35mm OR**
 - **150mm x 50mm**

**SECURE SNAP
FIT COVERS**

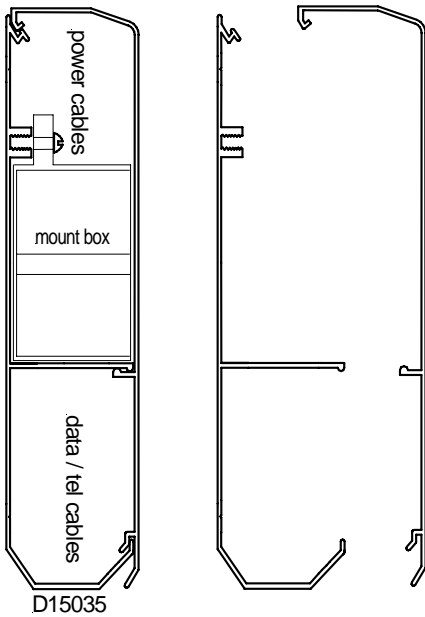
**BEVELLED
EDGE PROFILE**

**SUIT MOST
STANDARD
PATTERN GRID
PLATES**

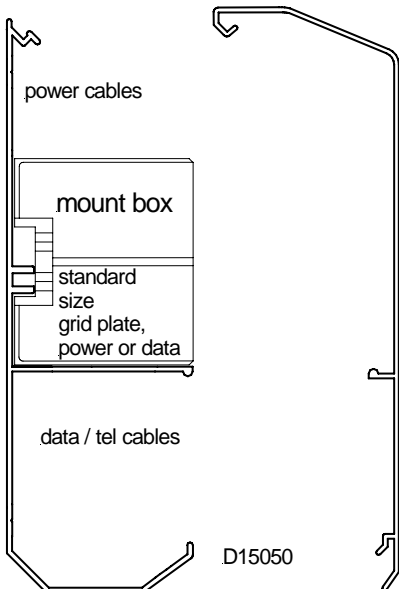




D15035 and D15050 2 channel Duct



D15035



D15050

SPECIFICATION

Material: Aluminium grade 6060 T5

Size: 150mm x 35mm , 2 channel
and 150mm x 50mm, 2 channel

Cable Capacity:

D15035 up to 30 Cat 5 cables

D15050 up to 50 Cat 5 cables

Colours:

Standard colours are Black Powdercoat and Clear Anodised. Other colours available.

Outlet Kits:

Suits most standard size grid plates with 84mm fixing centres.

D15050 suitable for Cat6 cable

PART NUMBERS	UNIT	DESCRIPTION
D15035BC-xx	LINEAR METRE	2 Channel duct Base and Cover 150 x35
D15050BC-xx xx = nominated colour code	LINEAR METRE	2 Channel duct Base and Cover 150 x50
D15035IC / D15050IC	EACH	INTERNAL CORNER
D15035EC / D15050EC	EACH	EXTERNAL CORNER
D15035ES / D15050ES	EACH	END STOP
D15035SO / D15050SO-xx	EACH	SINGLE GRID PLATE OUTLET KIT
D15035DO / D15050DO-xx	EACH	2 GRID PLATE OUTLET KIT
D15035TO / D15050TO-xx	EACH	3 GRID PLATE OUTLET KIT

SKIRTEC GROUP PTY LTD
TEL 1800 064 435

www.skirtec.com.au



"Simply Better"

ABN 77 074 107 805

SKIRTEC GROUP PTY LTD
5/87 KELLIHER RD
RICHLANDS QLD 4077
TEL: 07 3375 6144
FAX: 07 3375 6033

SKIRTEC GROUP PTY LTD
8 / 81-83 STATION RD
SEVEN HILLS NSW 2147
TEL: 02 9674 9080
FAX: 02 9674 9081

3 CHANNEL SKIRTING DUCT ALUMINIUM

C15035 & C15050

C15035 & C15050



- FOR**
- **SKIRTING DUCT**
 - **BENCH DUCT**
 - **150mm x 35mm OR**
 - **150mm x 50mm**



**SECURE SNAP
FIT COVERS**

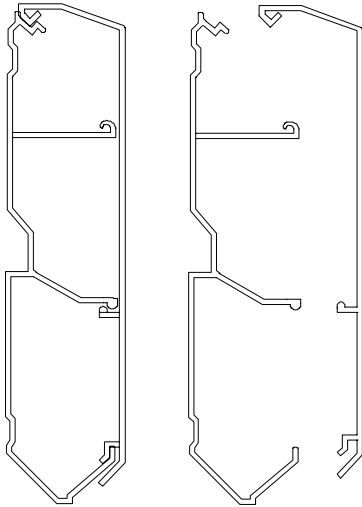
**BEVELLED
EDGE PROFILE**

www.skirtec.com.au sales@skirtec.com.au

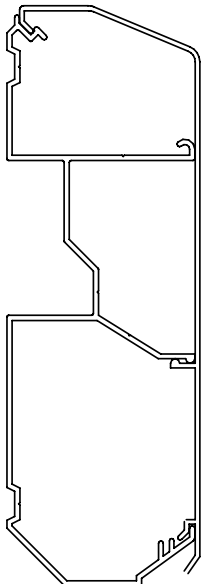
SKIRTING DUCT BENCH DUCT SERVICE COLUMNS



C15035 and C15050 3 channel Duct



C15035



C15050

SPECIFICATION

Material: Aluminium grade 6060 T5

Size: 150mm x 35mm , 3 channel
and 150mm x 50mm, 3 channel

Cable Capacity:

C15035 up to 30 Cat 5 cables

C15050 up to 40 Cat 5 cables

Colours:

Standard colours are Black Powdercoat
and Clear Anodised. Other colours
available.

Outlet Kits:

Suits most standard size grid plates
with 84mm fixing centres.

Outlets fit off into the Center Channel.

PART NUMBERS	UNIT	DESCRIPTION
C15035BC-xx	LINEAR METRE	3 Channel duct Base and Cover 150 x35
C15050BC-xx xx= nominated colour	LINEAR METRE	3 Channel duct Base and Cover 150 x50
C15035IC / C15050IC	EACH	INTERNAL CORNER
C15035EC / C15050EC	EACH	EXTERNAL CORNER
C15035ES / C15050ES	EACH	END STOP
C15035SO / C15050SO-xx	EACH	SINGLE GRID PLATE OUTLET KIT
C15035DO / C15050DO-xx	EACH	2 GRID PLATE OUTLET KIT
C15035TO / C15050TO-xx	EACH	3 GRID PLATE OUTLET KIT

SKIRTEC GROUP PTY LTD
TEL 1800 064 435

www.skirtec.com.au



"Simply Better"

SKIRTEC GROUP PTY LTD
5/87 KELLIHER RD
RICHLANDS QLD 4077
TEL: 07 3375 6144
FAX: 07 3375 6033

ABN 77 074 107 805
SKIRTEC GROUP PTY LTD
8 / 81-83 STATION RD
SEVEN HILLS NSW 2147
TEL: 02 9674 9080
FAX: 02 9674 9081

ABD12535

UNIVERSAL 2 CHANNEL ALUMINIUM DUCT

ABD12535



**SECURE SOLUTION
FOR**

- **WALL DUCT**
- **BENCH DUCT**
- **RISERS**
- **SKIRTING DUCT**

125mm X 35mm

AVAILABLE IN BLACK , WHITE BIRCH, GREY OR CLEAR ANODISED.

OTHER COLOURS AVAILABLE, P.O.A.

ENQUIRE AT YOUR WHOLESALE NOW!

www.skirtec.com.au

sales@skirtec.com.au

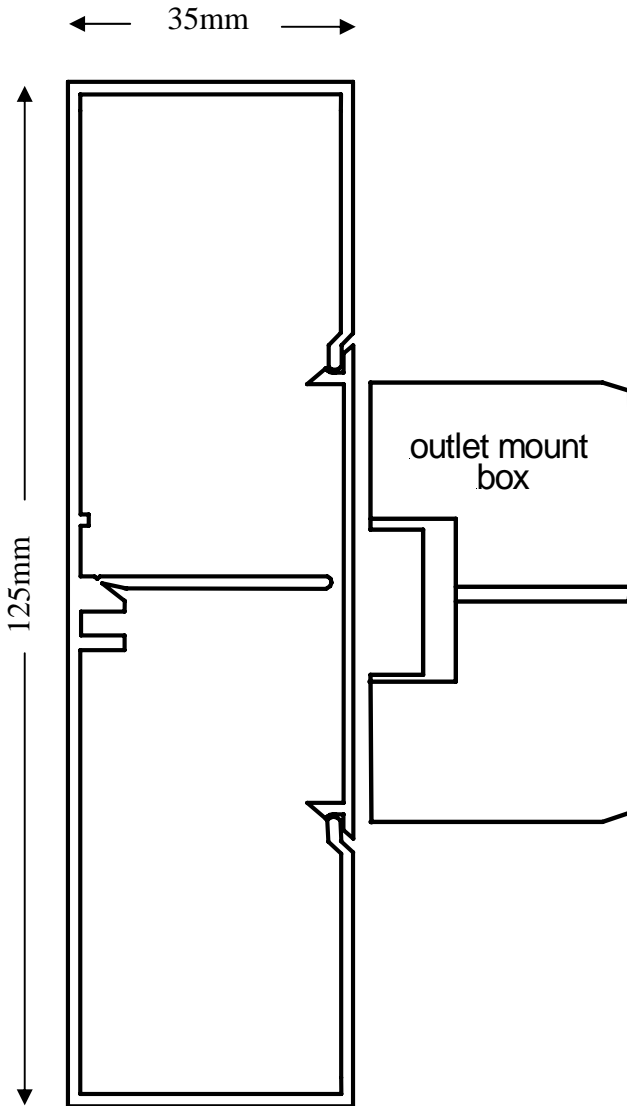
SKIRTING DUCT BENCH DUCT SERVICE COLUMNS



ABD12535 All Purpose 2 channel Duct

SPECIFICATION

Material: Extruded aluminium
Size: 125mm x 35mm x 3000mm, 2 channel
Cable Capacity: Equivalent to 25 Cat 5 cables per channel with outlet mount box installed.
Colours: Black , Grey, White Birch or Clear Anodised
Outlet Kit: Suits most standard size grid plates with 84mm centres



Accessories:

Purpose made accessories are,

- Outlet Mount Kit
- End Stop
- Internal / External modular Corner
- Corner 90 degree.

To install an outlet, simply cut and snap away the segregation barrier and fasten the mount box into the duct body with screws provided.

PART NUMBER	UNIT	DESCRIPTION
ABD12535-xx xx = nominated colour	LINEAR METRE	Aluminium , 2 channel duct, 125 x 35 c/w cover
ABD12535MT	EACH	Mount Kit for power or data outlet
ABD12535ES-xx	EACH	End stop
ABD12535CNR-xx	EACH	Modular corner, internal or external

SKIRTEC GROUP PTY LTD TEL 1800 064 435

www.skirtec.com.au



"Simply Better"

SKIRTEC GROUP PTY LTD
5/87 KELLIHER RD
RICHLANDS QLD 4077
TEL: 07 3375 6144
FAX: 07 3375 6033

ABN 77 074 107 805
SKIRTEC GROUP PTY LTD
8 / 81-83 STATION RD
SEVEN HILLS NSW 2147
TEL: 02 9674 9080
FAX: 02 9674 9081

ABD10050

UNIVERSAL 2 CHANNEL ALUMINIUM DUCT

ABD10050



**SECURE SOLUTION
FOR**

- **WALL DUCT**
- **BENCH DUCT**
- **RISERS**
- **SKIRTING DUCT**

100mm X 50mm

AVAILABLE IN BLACK , WHITE BIRCH, GREY OR CLEAR ANODISED.

OTHER COLOURS AVAILABLE, P.O.A.

ENQUIRE AT YOUR WHOLESALE NOW!

www.skirtec.com.au sales@skirtec.com.au

SKIRTING DUCT BENCH DUCT SERVICE COLUMNS

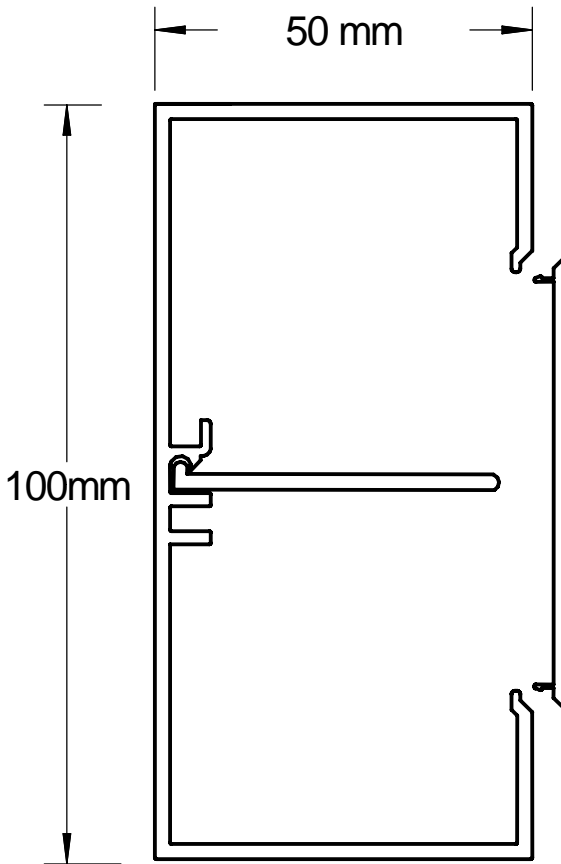


ABD10050 All Purpose 2 channel Duct

SPECIFICATION

Material: Extruded aluminium
Size: 100mm x 50mm x 3000mm, 2 channel
Cable Capacity: Equivalent to 25 Cat 5 cables per channel with outlet mount box installed.

Colours: Black , Grey, White Birch or Clear Anodised
Outlet Kit: Suits most standard size grid plates with 84mm centres



Accessories:

Purpose made accessories are,

- Outlet Mount Kit
- End Stop
- Internal / External modular Corner
- Corner 90 degree.

To install an outlet, simply unclip and remove the Segregation barrier and fasten the mount box into the duct body. Replace the barrier in the new position. Re-size the cover before replacing.

PART NUMBER	UNIT	DESCRIPTION
ABD10050-xx xx= nominated colour	LINEAR METRE	Aluminium , 2 channel duct, 100 x 50 c/w cover
ABD10050MT	EACH	Mount Kit for power or data outlet
ABD10050ES	EACH	End stop
ABD10050CNR	EACH	Modular corner, internal or external 90 degree.





"Simply Better"

Email:
sales@skirtec.com.au

SKIRTEC DISTRIBUTION

BRISBANE: Skirtec Group Pty Ltd
5/87 Kelliher Rd
RICHLANDS Qld 4077
Tel 07 3375 6144 Fax 07 3375 6033

SYDNEY: Skirtec Group Pty Ltd
8 / 81-83 Station Rd
SEVEN HILLS NSW 2147
Tel 02 9674 9080 Fax 02 9674 9081

NEWCASTLE: Ross Simmington Agencies
71 Broadmeadow Rd
BROADMEADOW NSW 2292
Tel 02 4961 3441 Fax 02 4962 2543

TOWNSVILLE: Nesco Electrical Products
47 Leyland St
GARBUTT QLD 4814
Tel 07 4728 2131 Fax 07 4775 6057

ADELAIDE: Connect Electronics
2 / 10 Desmond Ave
MARLESTON SA 5033
Tel 08 8293 8199 Fax 08 8293 8193

www.skirtec.com.au