



"Simply Better"



Help Line: 1800 064 435

Centrepont Modular Service Column

ASC30

Installation Instructions

Reg No. CS/960/Q

1. Contents of Package

- 1 Service Column c/w cover and segregation.
- 6 Outlet Mount Kits c/w screws, mounted.
- 5 Intermediate Cover Strips.
- 2 Fixing Brackets, top & bottom mounted, c/w fasteners.
- 1 Ceiling Grid Fixing Strap, c/w 2 pop rivets.
- 1 Ceiling Trim. (use as template on ceiling cut).
- 1 Floor Plate Trim. (Optional use)

2. To Prepare Column

Remove front cover plate to expose cable trough.

Cut the top of the pole to length, leaving adequate length for intrusion into the ceiling space.

If required, adjust the position and cable inlet direction of pre-mounted outlet box. If extra boxes are required, contact your wholesaler.

If required, adjust, cut and fit* segregation to suit. (Note, if outlet boxes are fitted adjacent, no segregation is required between boxes.)

Segregation can be installed in either of two (2) ways.

- Slide into position from either end, or
- Clip into the right hand slot as per **Fig1**. then clip outwards to the perpendicular. This method is advised when access from either end is closed off.

3. Mounting Service column

Use the area inside the ceiling trim as a template for marking the ceiling hole position. Fit the top mounting bracket flush inside the pole with fasteners supplied, as per bottom bracket. **See Figs 2 & 3.**

* Fit the Ceiling Trim around the column before the next step.

Insert pole into the ceiling and check for vertical position. Mark floor area for bottom bracket fasteners and fix to floor in both fastener positions.

See Fig 3.

Use ceiling grid straps to secure pole to the ceiling grid (see **Fig 2**) or use booker rod to secure against/to concrete flooring above. **See Fig 4.**

4. Maintenance

Little or no maintenance is required. Recommended cleaning agents are Spray & Wipe, Mr Sheen or similar.

NOTE: Centrepont Service Column has been designed for use with TPS cable.

Did you know?

SKIRTEC products are all made and assembled in **AUSTRALIA**.

For further info:

www.skirtec.com.au

SKIRTEC

Fig 1.

Segregation piece can be inserted or removed by pushing to one side. Alternately, you can slide from either end.

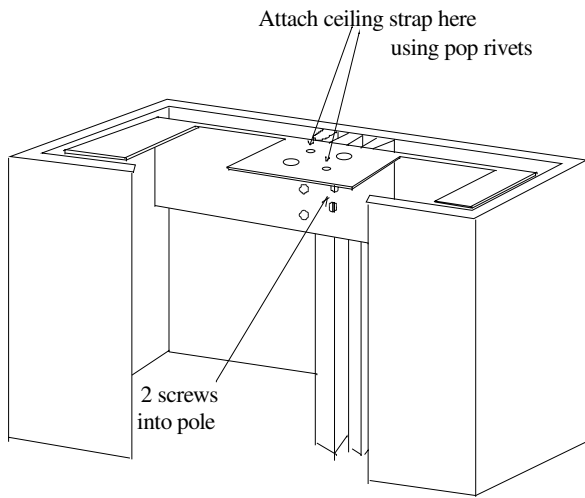
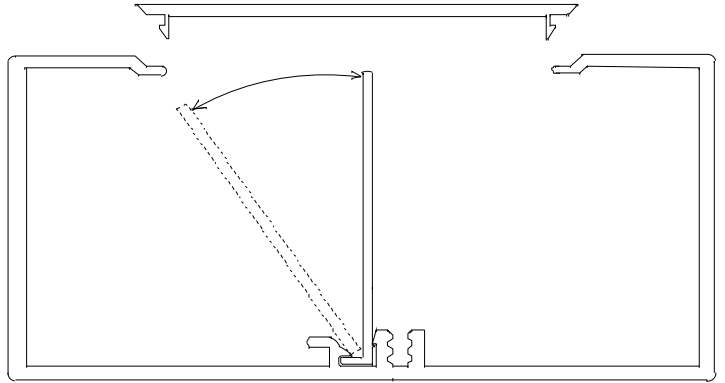


Fig 2.

Top mounting bracket fits flush inside column. Fit using fasteners provided.

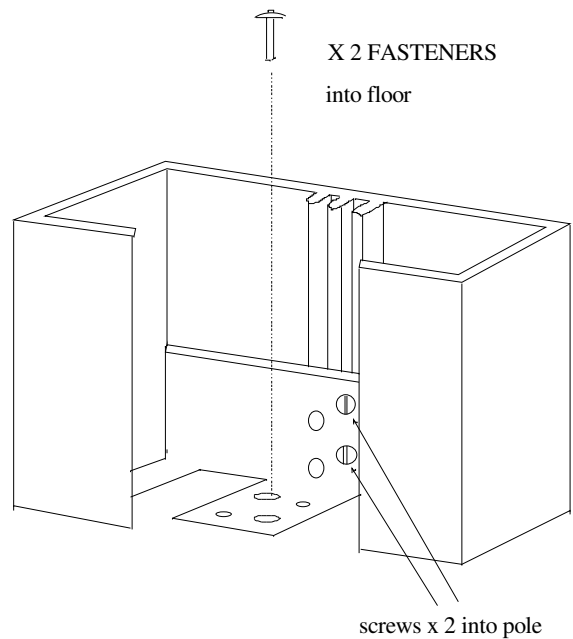


Fig 3.

Bottom mounting bracket. Fix to floor using mushy head fasteners provided.

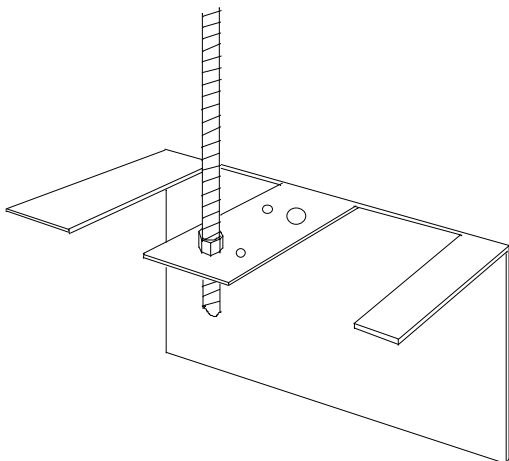


Fig 4.

Use either booker rod attachment or ceiling grid fixing straps. Pop rivets are provided.